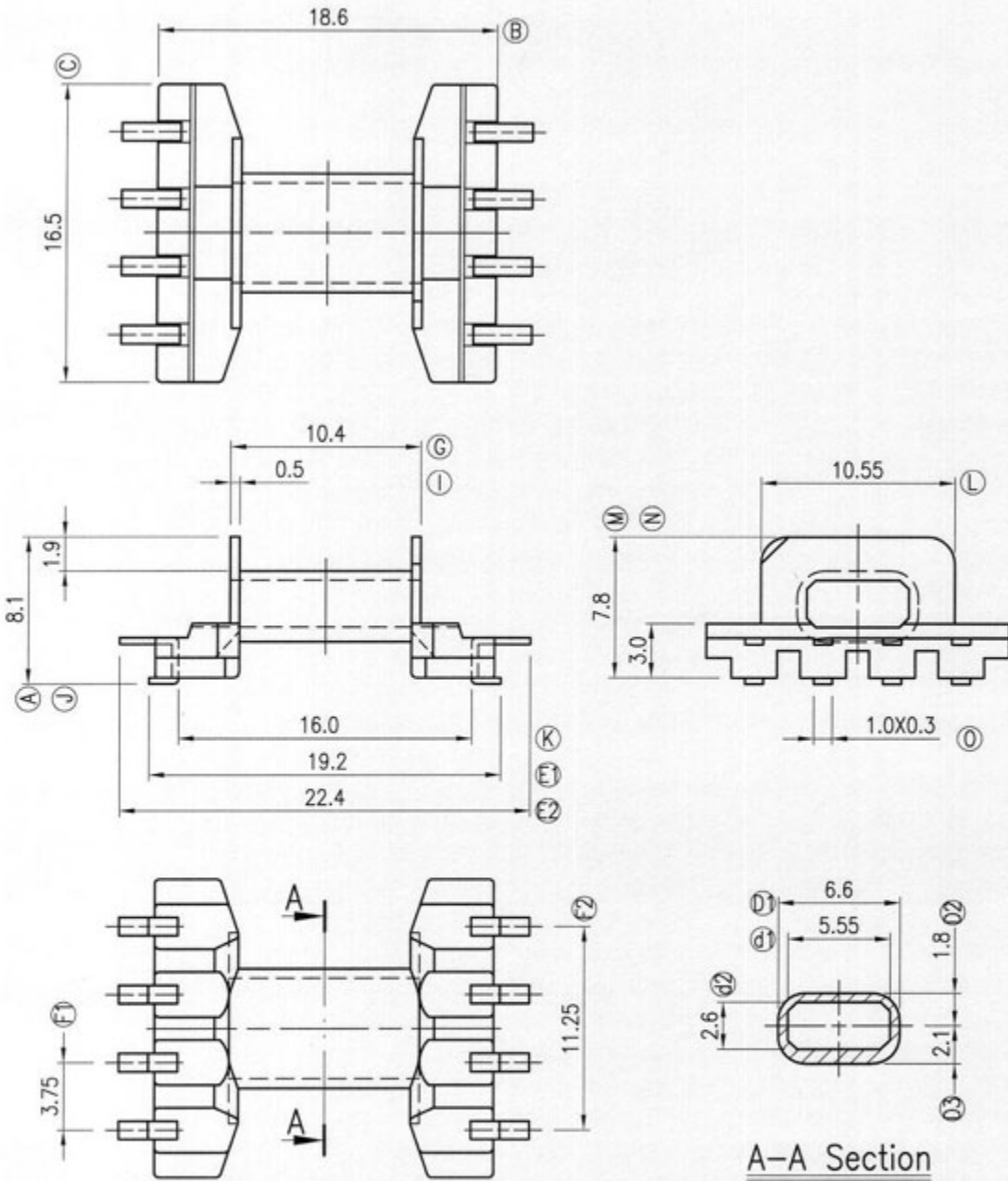


[<< Prev] YC-1502S-EFD-15 [Next >>]



盈勤

Part No. YC-1502S



A-A Section

Date	Revised Record
02.03.05	A/0

(台北) Tel: 886-2-29902896 Fax: 886-2-29906154
 (昆山) Tel: 86-520-7794588 Fax: 86-520-7794788
 (東莞) Tel: 86-769-5549610 Fax: 86-769-5549617

Model	EFD-15 SMD	8PINS
Bobbin Material:	LCP UL-94V-0	
Pin Material:	CP Wire	
Scale:	3 : 1	Tolerance : .xxx ±0.08
Unit:	mm	.xx ±0.1
		.x ±0.2
File No:	YC-F-329	Date: 2002.03.05